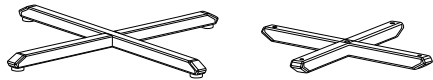


# SLIM X BASE ASSEMBLY INSTRUCTION

## Material Identification



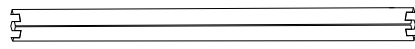
**A**

1 pcs.  
Base



**B**

1 pcs.  
Flange



**C**

1 pcs.  
Column



**D**

1 pcs.  
Table top



**E**

2 pcs.  
m10x30 screws



**F**

4 pcs.  
m6x10 screws



**G**

4 pcs.  
Flange cap



**H**

2 pcs.  
Washers

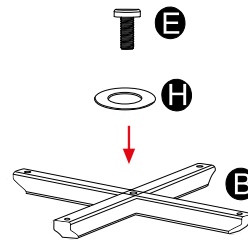


**I**

1 pcs.  
Allen key

**1**

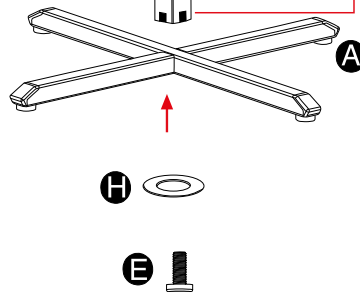
Locate the flange (B) to column (C) by using m10x30 screw (E)



**Caution!**  
Take the protective part before the assembly.

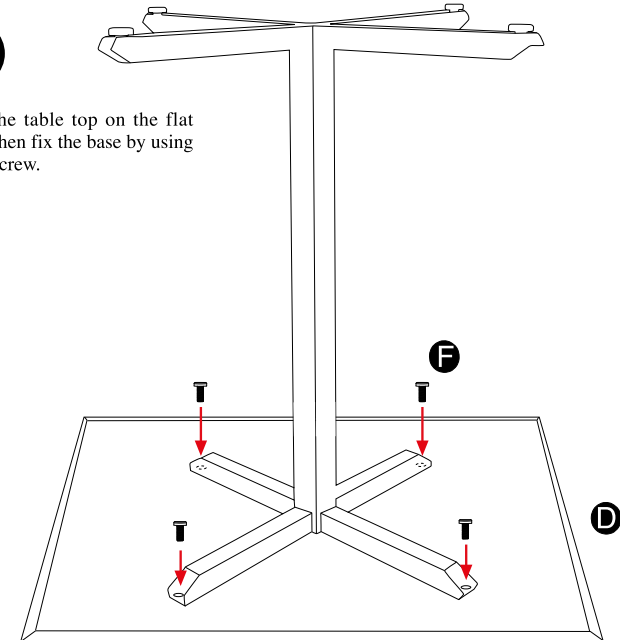
**2**

Locate the base (A) to column (C) by using m10x30 screw (E)



**3**

Place the table top on the flat ground then fix the base by using m6x10 screw.



**4**

Place the flange caps in to the frame.

